
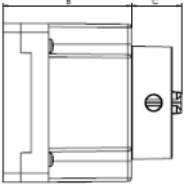
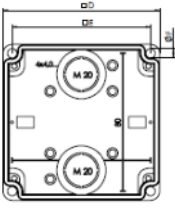

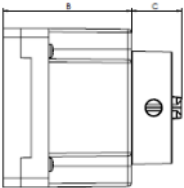
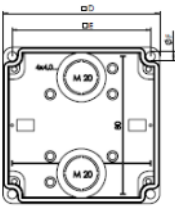

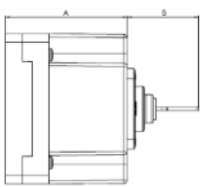
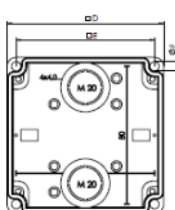

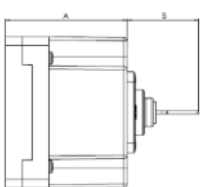
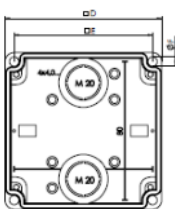


Bauform Nockenschalter MN111 Wandaufbau - gekapselt


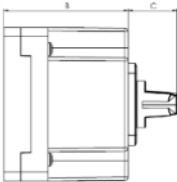
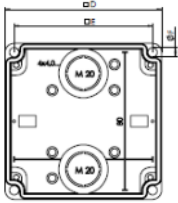

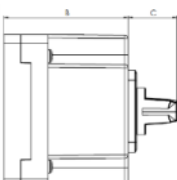
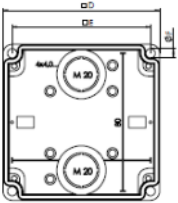
MERZ Schaltgeräte GMBH + CO KG
 Postfach 02 15 · DE - 74402 Gaildorf

			<table border="1"> <thead> <tr> <th>Farbe</th> <th>Bauform</th> <th>B</th> <th>C</th> <th>D</th> <th>E</th> <th>F</th> </tr> </thead> <tbody> <tr> <td>sw/gr</td> <td>I2N1551</td> <td>98</td> <td>29</td> <td>115</td> <td>100</td> <td>6,3</td> </tr> <tr> <td>rt/ge</td> <td>I2N1550</td> <td>98</td> <td>29</td> <td>115</td> <td>100</td> <td>6,3</td> </tr> </tbody> </table> <p>Abmessungen in mm</p>	Farbe	Bauform	B	C	D	E	F	sw/gr	I2N1551	98	29	115	100	6,3	rt/ge	I2N1550	98	29	115	100	6,3
Farbe	Bauform	B	C	D	E	F																		
sw/gr	I2N1551	98	29	115	100	6,3																		
rt/ge	I2N1550	98	29	115	100	6,3																		
			<table border="1"> <thead> <tr> <th>Farbe</th> <th>Bauform</th> <th>B</th> <th>C</th> <th>D</th> <th>E</th> <th>F</th> </tr> </thead> <tbody> <tr> <td>sw/gr</td> <td>I2H1551</td> <td>128</td> <td>29</td> <td>115</td> <td>100</td> <td>6,3</td> </tr> <tr> <td>rt/ge</td> <td>I2H1550</td> <td>128</td> <td>29</td> <td>115</td> <td>100</td> <td>6,3</td> </tr> </tbody> </table> <p>Abmessungen in mm</p>	Farbe	Bauform	B	C	D	E	F	sw/gr	I2H1551	128	29	115	100	6,3	rt/ge	I2H1550	128	29	115	100	6,3
Farbe	Bauform	B	C	D	E	F																		
sw/gr	I2H1551	128	29	115	100	6,3																		
rt/ge	I2H1550	128	29	115	100	6,3																		
			<table border="1"> <thead> <tr> <th>Farbe</th> <th>Bauform</th> <th>A</th> <th>B</th> <th>D</th> <th>E</th> <th>F</th> </tr> </thead> <tbody> <tr> <td>sw/si</td> <td>I2N0265</td> <td>98</td> <td>45</td> <td>115</td> <td>100</td> <td>6,3</td> </tr> <tr> <td>rt/ge</td> <td>I2N0265.02</td> <td>98</td> <td>45</td> <td>115</td> <td>100</td> <td>6,3</td> </tr> </tbody> </table> <p>Abmessungen in mm</p>	Farbe	Bauform	A	B	D	E	F	sw/si	I2N0265	98	45	115	100	6,3	rt/ge	I2N0265.02	98	45	115	100	6,3
Farbe	Bauform	A	B	D	E	F																		
sw/si	I2N0265	98	45	115	100	6,3																		
rt/ge	I2N0265.02	98	45	115	100	6,3																		
			<table border="1"> <thead> <tr> <th>Farbe</th> <th>Bauform</th> <th>A</th> <th>B</th> <th>D</th> <th>E</th> <th>F</th> </tr> </thead> <tbody> <tr> <td>sw/si</td> <td>I2H0265</td> <td>128</td> <td>45</td> <td>115</td> <td>100</td> <td>6,3</td> </tr> <tr> <td>rt/ge</td> <td>I2H0265.02</td> <td>128</td> <td>45</td> <td>115</td> <td>100</td> <td>6,3</td> </tr> </tbody> </table> <p>Abmessungen in mm</p>	Farbe	Bauform	A	B	D	E	F	sw/si	I2H0265	128	45	115	100	6,3	rt/ge	I2H0265.02	128	45	115	100	6,3
Farbe	Bauform	A	B	D	E	F																		
sw/si	I2H0265	128	45	115	100	6,3																		
rt/ge	I2H0265.02	128	45	115	100	6,3																		

Weitere Bauformen auf Anfrage

Bauform Nockenschalter MN111 Wandaufbau - gekapselt

MERZ Schaltgeräte GMBH + CO KG
 Postfach 02 15 · DE - 74402 Gaildorf

			<table border="1"> <thead> <tr> <th>Farbe</th> <th>Bauform</th> <th>B</th> <th>C</th> <th>D</th> <th>E</th> <th>F</th> </tr> </thead> <tbody> <tr> <td>sw/si</td> <td>I2N0400</td> <td>98</td> <td>33</td> <td>115</td> <td>100</td> <td>6,3</td> </tr> <tr> <td>rt/ge</td> <td>I2N0400.02</td> <td>98</td> <td>33</td> <td>115</td> <td>100</td> <td>6,3</td> </tr> </tbody> </table> <p>Abmessungen in mm</p>	Farbe	Bauform	B	C	D	E	F	sw/si	I2N0400	98	33	115	100	6,3	rt/ge	I2N0400.02	98	33	115	100	6,3
Farbe	Bauform	B	C	D	E	F																		
sw/si	I2N0400	98	33	115	100	6,3																		
rt/ge	I2N0400.02	98	33	115	100	6,3																		
			<table border="1"> <thead> <tr> <th>Farbe</th> <th>Bauform</th> <th>B</th> <th>C</th> <th>D</th> <th>E</th> <th>F</th> </tr> </thead> <tbody> <tr> <td>sw/si</td> <td>I2H0400</td> <td>128</td> <td>33</td> <td>115</td> <td>100</td> <td>6,3</td> </tr> <tr> <td>rt/ge</td> <td>I2H0400.02</td> <td>128</td> <td>33</td> <td>115</td> <td>100</td> <td>6,3</td> </tr> </tbody> </table> <p>Abmessungen in mm</p>	Farbe	Bauform	B	C	D	E	F	sw/si	I2H0400	128	33	115	100	6,3	rt/ge	I2H0400.02	128	33	115	100	6,3
Farbe	Bauform	B	C	D	E	F																		
sw/si	I2H0400	128	33	115	100	6,3																		
rt/ge	I2H0400.02	128	33	115	100	6,3																		

Weitere Bauformen auf Anfrage