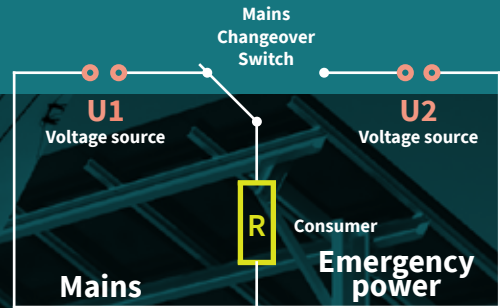


MTSE-Transfer Switching Equipment

4 POLE / 40 - 125 A



60947-6-1



complies with the international standard IEC 60947-6-1



Switch to Quality!

TECHNICAL DATA

MTSE-Switch			040	040	063	063	125	125
			4VU3B	4VU	4VU3B	4VU	4VU3B	4VU
Bridge N-Modul			no	yes	no	yes	no	yes
Operational voltage U_e	V AC		690	690	690	690	690	690
Impulse withstand voltage	kV		6	6	6	6	8	8
Uninterrupted current I_{imp}	A		40	40	63	63	125	125
$I_u/I_{th}/I_{the}$								
Short-circuit rating	gL		40	40	63	63	125	125
Max. fuse								
Conditional short-circuit current	kAeff		15	15	-	-	25	25
Short-circuit making capacity I_{cm}	kA		-	-	1,8	1,8	-	-
Isolation characteristics acc. to EN 60947	up to ...	V AC	690	690	690	690	1000	1000
Switching angle			90°	90°	90°	90°	90°	90°
Contacts (current paths)	max		8	8	8	8	8	8
Terminal capacity								
- solid or	min	mm ²	1	1	6	6	4	4
- stranded	max	mm ²	10	10	25	25	50	50
- flexible or multiwired	min	mm ²	0,75	0,75	4	4	2,5	2,5
- including ferrule	max	mm ²	6	6	16	16	35	35
American Wire Gauge	AWG		8	8	4	4	1/0	1/0
Operation current I_e								
- AC-21A	A		40	40	63	63	125	125
- cUL	300V AC	A	40	40	63	63	100	100
- General Use	600V AC	A	40	40	63	63	100	100
Operational power at 50-60Hz (3 phases)								
AC-23A	220-240V	kW	7,5	7,5	15	15	30	30
	380-440V	kW	15	15	22	22	45	45
	500V	kW	15	15	22	22	45	45
	660-690V	kW	15	15	22	22	37	37
AC-3	220-240V	kW	5,5	5,5	11	11	30	30
	380-440V	kW	11	11	18,5	18,5	37	37
	500V	kW	11	11	18,5	18,5	45	45
	660-690V	kW	11	11	18,5	18,5	37	37
cUL	110-120V AC	HP	3	3	5	5	15	15
	208V AC	HP	7,5	7,5	-	-	-	-
	220-240V AC	HP	7,5	7,5	10	10	30	30
	440-480V AC	HP	15	15	20	20	60	60
	550-600V AC	HP	15	15	20	20	50	50

Application:

Distribution board mounting on DIN rail standard 35 mm with cover plate 45 mm aperture, Handle/front plate black/silver

Mechanical lifespan: >10⁵ switching cycle

Climatic resistance: damp heat, constant, to DIN IEC 60068-2-78 / damp heat, cyclic, to DIN IEC 60068-2-30

Ambient temperature: open: -25/+50 °C. (min/max) / enclosed: -25/+40 °C. (min/max)

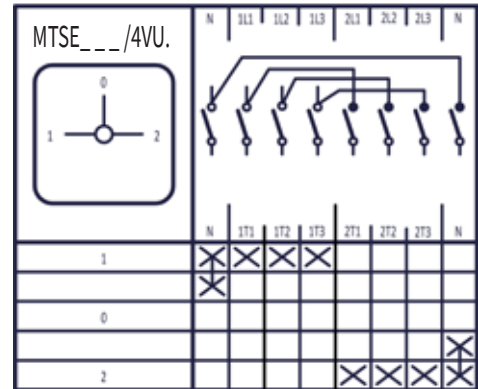
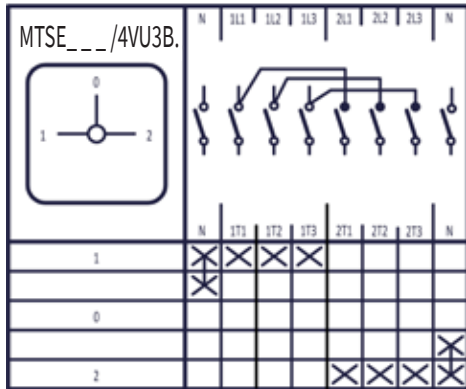
Load carrying capacity in intermittent operation, Class 12 AB: 60%/40%/25% DF: 1.3/1.6/2 × I_e

Disconnect Switch, Product line MTSE 4pole Changeover switch with OFF Base mounting switch

DIN rail with cover plate 45 mm aperture, Mounting form/operator module grey, Legend plate silver, M-handle black

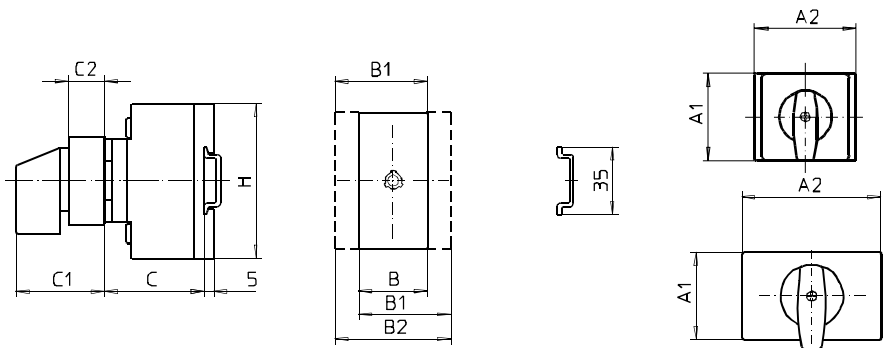
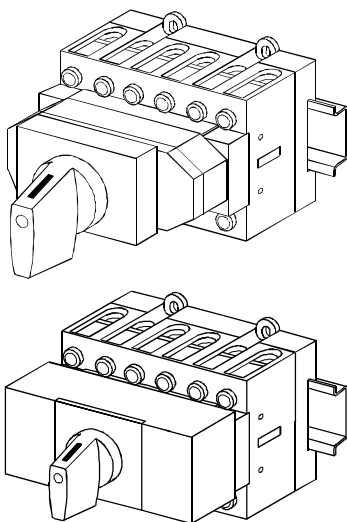
Standards IEC 60947-6-1, EN 60947-6-1, IEC 60204, EN 60204, ANSI/UL 60947-1, ANSI/UL 60947-4-1A

SWITCHING PROGRAM



DIMENSIONS (MM/INCH)

Type	N-Bridge	A1		A2		B		B1		B2		C		C1		C2		H	
		mm	inch	mm	inch	mm	inch	mm	inch	mm	inch	mm	inch	mm	inch	mm	inch	mm	inch
MTSE-040 4VU3B	yes	45	1,77	76	2,99	72	2,83	84	3,31	96	3,78	40	1,57	51,5	2,03	25,5	1,0	70	2,76
MTSE-040 4VU	no	45	1,77	76	2,99	72	2,83	84	3,31	96	3,78	40	1,57	51,5	2,03	25,5	1,0	70	2,76
MTSE-063 4VU3B	yes	45	1,77	105	4,13	100	3,94	119	4,69	138	5,43	40	1,57	51,5	2,03	25,5	1,0	72	2,83
MTSE-063 4VU	no	45	1,77	105	4,13	100	3,94	119	4,69	138	5,43	40	1,57	51,5	2,03	25,5	1,0	72	2,83
MTSE-125 4VU3B	yes	45	1,77	72	2,83	140	5,51	159	6,26	178	7,01	67	2,64	48	1,89	16	0,63	80	3,15
MTSE-125 4VU	no	45	1,77	72	2,83	140	5,51	159	6,26	178	7,01	67	2,64	48	1,89	16	0,63	80	3,15



MERZ Schaltgeräte GMBH + CO KG

Kernerstraße 15
D-74405 Gaildorf

Telefon +49 (0) 7971 252-252
Fax +49 (0) 7971 252-351

info@merz-schaltgeraete.de
www.merz-schaltgeraete.de



switch to Quality!