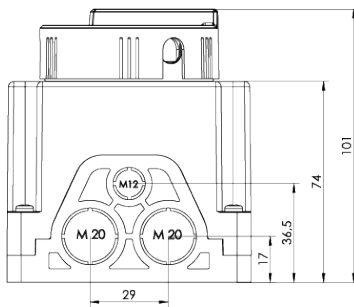
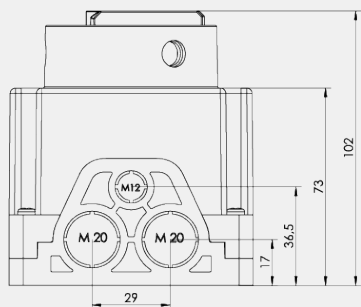
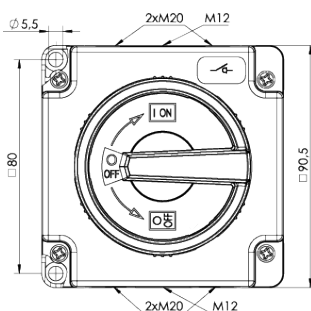
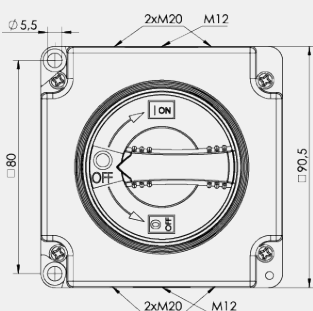


Product change notification, new handle design for enclosure I1N1551

old I1N1551

new I1N2051



ADVANTAGES

- New compact handle design
- Optimized ergonomic handling/grip
- Improved haptics
- For up to 3 padlocks *
- High UV and weathering resistance IEC 62208 / UL746 (f1)
- Protection class IP65/66
- Red/yellow (rd/ye)

* 2 x up to 9 mm / 1 x up to 6.5 mm



MERZ

Schaltgeräte GMBH + CO KG

The current information for
innovative switchgear

www.merz-schaltgeraete.de

Affectes applications :

I1N 1551

Any questions?

We also find the right switch for
your project.

Contact us, please!

Our contact persons will be happy
to advise you.

Phone +49 7971 252-252

www.merz-schaltgeraete.de