

Lock Handle -> Screwless Lock Handle

Unique in the market!

Possible designs:

- Front installation with 4-hole mounting
- Front installation with central mounting 16 mm / 22,5 mm
- Intermediat installation with cover coupling
- Intermediat installation with door coupling and door lock

01 | Characteristic:

- Lock Handle Engage handle attachment by snapping it into place in guide groove - no Screw necessary
- With padlock for 3 padlocks. For Switching angle up to max. 90°
- Handle / locking ring in Black / gray (sw / gr) or Red / yellow / rt / ge) or black / black (sw / sw) *
- UV resistance UL 746 (f1)
UV resistance IEC 62208
Longevity DIN EN ISO 4892-2

* other combinations on request

02 | Installation:

- Switch in off position
- Attach handle to switch axle
- Engage the grip

03 | Demounting

- Switch in off position
- Insert screwdriver in the disassembly opening
- Loosen the catch with a screwdriver and at the same time remove the handle.



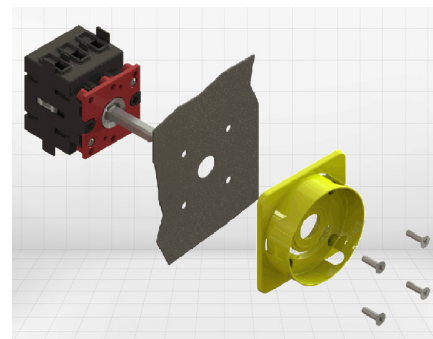
MERZ
Schaltgeräte GMBH + CO KG
The current newsletter for
innovative switchgear
www.merz-schaltgeraete.de

October 2018 |

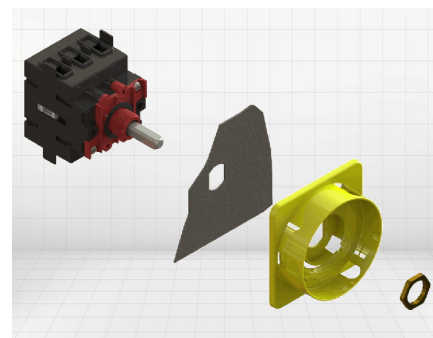
18/4 | Screwless Handle Mounting

January 2019 |

19/1 | Year Overview 2019



- 4-hole mounting (picture above)



- Central mounting (picture below)