

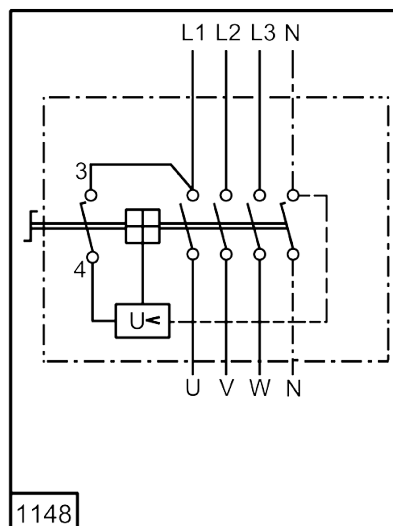
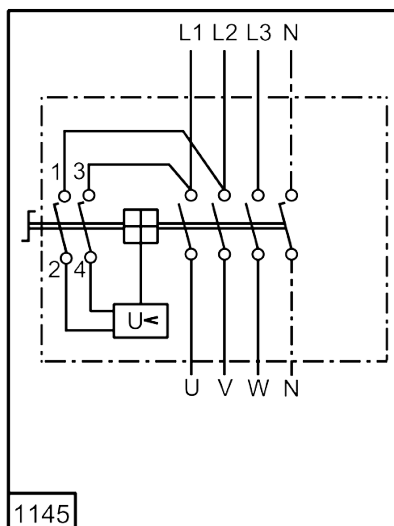
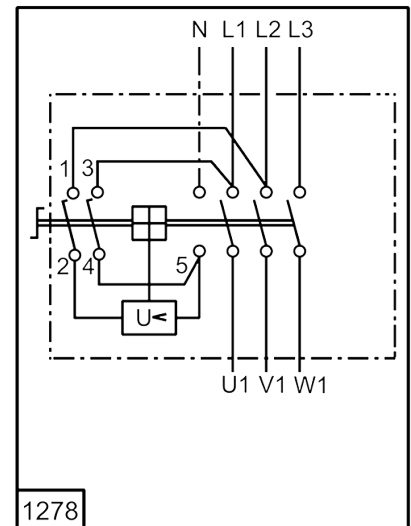
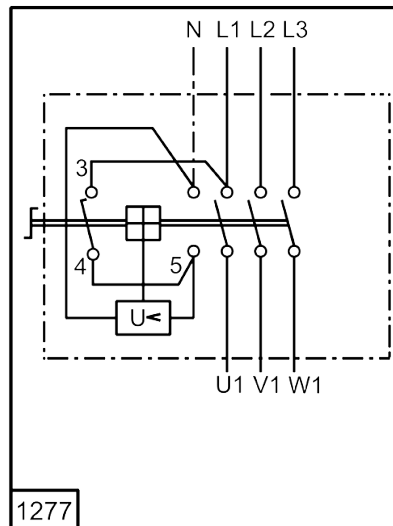
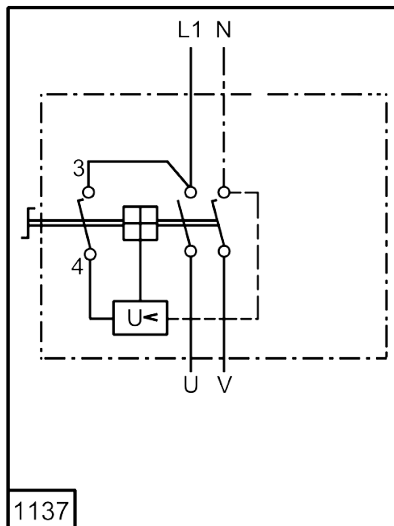
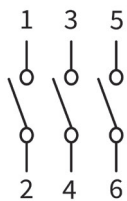
Contact_diagrams_UVR

Version: 01/01/2021

Page 1/1

Contact diagrams series UVR - ON-OFF-switches

A Ein-Aus Schalter On-Off switches



Subject to change without notice, errors and errata excepted.